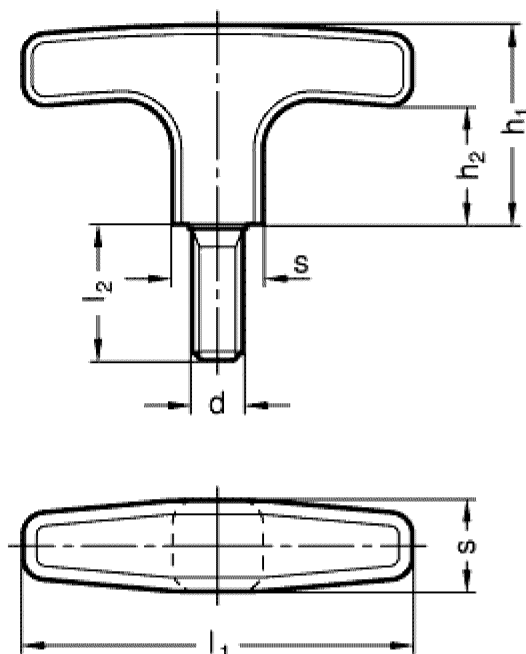


GN 563.1 T-Handles



l_1	d	l_2	h_1	h_2	s
40	M 6	20	30	20	13
55	M 8	20	33	22	14
67	M 8	25	37	25	16
80	M 10	30	41	26	20
93	M 12	30	45	28,5	21

Specification

Plastic Technopolymer
(Polyamide PA)
Glass fibre re-inforced
Temperature resistant up
to 130° C

black, matt

Threaded shaft in steel
Zinc plated, blue
passivated

Information

T-handles GN 563.1 can be used on operating levers as well as on clamping fixtures. These handles lend themselves ideally for very high manual clamping forces.

T-Handles GN 563

T-Handles GN 563.2 (Aluminum)

How to order

T-Handle

GN 563.1-55-M8-20

Code no.	563.1
l_1	55
d	M8
l_2	20